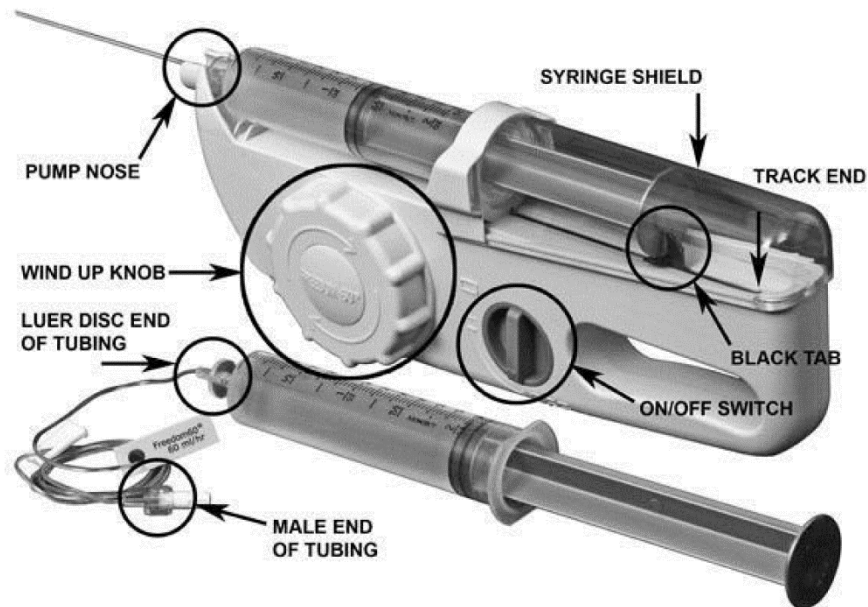


PATIENT EDUCATION

Medication Administration Via Freedom 60 Pump



Properly administering your medication at home is important to your safety. In the event of an emergency, always call 911.

SUPPLIES:

- Medication syringe
- Freedom 60/Precision Flow-tubing (tubing to be changed daily)
- (2) Sodium Chloride (Saline) pre-filled syringes
- (1) Heparin pre-filled syringe
- (1) Light Blue syringe tip cap, if indicated
- Alcohol/antiseptic wipes

SASH FLUSH PROCEDURE:

- S** Saline ___ ml
- A** Administer medication as instructed by your nurse
- S** Saline ___ ml
- H** Heparin ___ ml (if required)

PROCEDURE:

1. Gather supplies. Clean work area. Wash hands thoroughly for at least 20 seconds.
2. Check labels for name, drug, frequency, and expiration. Inspect the medication syringe for cracks, leaks, particulate matter, and clarity of medication. Contact us for any discrepancies or concerns.

PATIENT EDUCATION

Medication Administration Via Freedom 60 Pump

3. Prepare your prefilled syringes for flushing your IV Catheter as instructed by your nurse.

IMPORTANT SAFETY ALERT: Verify that you have the correct Freedom 60/Precision flow tubing. The rate printed on the package must match the rate ordered by your doctor (check prescription label).

4. Remove tubing from package.
5. Attach the Freedom 60/Precision Tubing to the luer disc end of medication syringe. (remove clear and red caps from medication syringe).
6. Ensure the Freedom pump is in the OFF position and the black tab is at the end of its track. To move the black tab, wind the large knob clockwise until click is heard. **DO NOT OVERWIND.**

MEDICATION ADMINISTRATION:

7. Insert the medication syringe with tubing attached plunger end first into the clear cover on the pump. Ensure luer disk end of tubing is firmly seated in the nose of the pump. (See instructional video)
8. Prime the Freedom 60/Precision Tubing by turning pump to **ON** position. Remove end cap UNTIL a drop of fluid is noted at end of tubing, reattach end cap. **NOTE: Hold the syringe in place UNTIL the black tab engages with syringe to prevent disengagement.**
9. Turn the pump to the **OFF** position.
10. Clean the injection cap on the end of your IV catheter with an alcohol wipe vigorously for 30 seconds and let air dry for 60 seconds.
11. Attach a prefilled Sodium Chloride/Saline syringe to the injection cap of your IV catheter and flush the IV catheter as instructed by your nurse.
12. Disconnect the syringe from the injection cap of your IV catheter and discard.
13. Clean the injection cap on the end of your IV catheter with a new alcohol wipe vigorously for 30 seconds and let air dry for 60 seconds.
14. Remove protective cap from the end of Freedom 60/Precision Tubing and attach tubing to the injection cap on the end of your IV catheter. ***Be careful to avoid touching the tip of the tubing**.**
15. Turn the pump to the **ON** position.

PATIENT EDUCATION

Medication Administration Via Freedom 60 Pump

16. Administer medication via Freedom pump per your Plan of Treatment, monitoring infusion progress while medication is being dispensed. **Note: Pump is silent during medication infusion.**

AT THE END OF THE INFUSION:

17. When medication syringe is empty, the infusion is complete. Turn pump to OFF Position.
18. Disconnect the tubing from the injection cap of your IV catheter.
19. If another dose of medication is to be administered the same day, place a light blue syringe tip cap on the end of the tubing, keeping it sterile. You will reuse the tubing when administering more than one infusion per day by attaching a new medication syringe.
20. Clean the injection cap on the end of your IV catheter with an alcohol wipe vigorously for 30 seconds and let air dry for 60 seconds.
21. Attach a prefilled Sodium Chloride/Saline syringe to the injection cap of your IV catheter and flush the IV catheter as instructed by your nurse.
22. Disconnect the syringe from the injection cap of your IV catheter and discard.

If your catheter requires the use of Heparin: Complete steps 23-25, otherwise, skip to step 26.

23. Clean the injection cap on the end of your IV catheter with a new alcohol wipe vigorously for 30 seconds and let air dry for 60 seconds.
24. Attach a prefilled syringe of Heparin to the injection cap of your IV catheter and flush your IV catheter as instructed by your nurse.
25. Disconnect the syringe from the injection cap of your IV catheter and discard.
26. Flush any additional lumens as directed in your plan of treatment.
27. Rewind the knob clockwise, moving the black tab to the end of the track.
28. Remove the empty medication syringe from the pump. Leave the empty syringe attached to the tubing. (Discard syringe and tubing if all infusions are completed for the day.)
29. Wash hands thoroughly, for at least 20 seconds.

****All Supplies and waste can be double bagged and disposed of with your household garbage****

PATIENT EDUCATION

Medication Administration Via Freedom 60 Pump

NOTES:

CAREPATHrx

The information included in this document is intended for informational and educational purposes only. It is not intended to replace medical advice offered by a physician or other qualified health provider. If you think you are experiencing a medical emergency, call 911 immediately.

Copyright© 2021 by CarepathRx. All rights reserved.